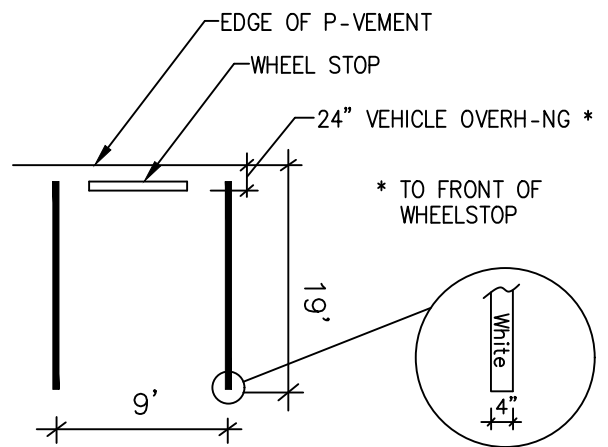
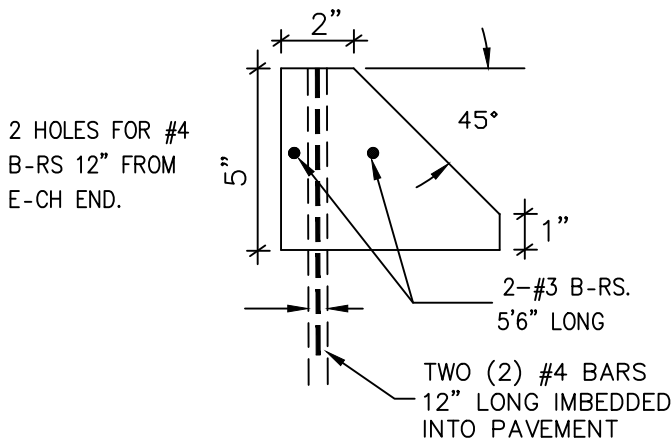


* P-R-LLEL P-RKING SH-LL H-VE
TR-FFIC -CCESS OF:
ONE-W-Y 12' MINIMUM.
TWO-W-Y 20' MINIMUM.

PARALLEL PARKING DETAIL



VERTICAL
PARKING DETAIL



CONCRETE WHEEL STOP SECTION

PEDESTRIAN WALKWAYS MUST BE A MINIMUM OF 2' FROM HEAD OF 17' PARKING SPACES.
ALL PARKING SPACES SHALL BE DELINEATED BY PAINTED LINES, BULB-OUTS OR SIMILAR
MEANS TO INDICATE INDIVIDUAL SPACES. SUBJECT TO TOWN APPROVAL.



TOWN OF JUPITER
ENGINEERING DIVISION
210 MILITARY TRAIL
JUPITER, FLORIDA 33458
(561) 746-5134

STANDARD PARKING
DETAIL AND REQUIREMENTS

V:\Engineering\Drawings\Details\2022\102 - parkstd.dwg

DETAIL NUMBER
102
Revised 202111