

# FENCES

## Please submit/upload plans in PDF format

Applicant must submit the following items:

Please indicate items submitted with a checkmark (✓)

Create online as Permit Type: Building (C ) or Building (R ) Workclass: Fence

1. Permit application (check appropriate trade) completed and signed \_\_\_\_\_
2. **Completed Fence Construction Certification Form** (for one and two family and townhouses only) \_\_\_\_\_
3. **Fence height and \*lineal\* feet written on application** \_\_\_\_\_
4. **Survey** with fence footage and location  
(Indicate distance from fence to property lines below) \_\_\_\_\_
5. Write the setbacks (distance) to property lines below \_\_\_\_\_

Required Setback	F	R	S	S
Proposed Setback	F	R	S	S

\_\_\_\_\_
6. Typical fence sections and specifications \_\_\_\_\_
7. Utility Easement Agreements, if fence is in utility easement \_\_\_\_\_
  - a. Florida Power and Light \_\_\_\_\_
  - b. At&T \_\_\_\_\_
  - c. Water Department (Jupiter or Tequesta) \_\_\_\_\_
  - d. Loxahatchee River Environmental Control District \_\_\_\_\_
  - e. Teco Gas \_\_\_\_\_
  - f. Cable Company \_\_\_\_\_
8. Letter of acceptance (RME form) from next door neighbor if fence is within a Reciprocal Maintenance Easement \_\_\_\_\_
9. Drainage Easement Agreement, if fence is in drainage easement \_\_\_\_\_
10. Owner/Builder affidavit, if applicable \_\_\_\_\_
11. Commercial fences may require fire rescue plan review fee and fee. This will be determined by the plans examiner \_\_\_\_\_

**IF RESIDENT LIVES IN A DEED RESTRICTED COMMUNITY,  
OBTAIN HOMEOWNERS ASSOCIATION APPROVAL PRIOR TO COMMENCING WORK**


**SEE SAMPLE FENCE SECTIONS FOR FURTHER CLARIFICATION**



**TOWN OF JUPITER BUILDING DEPARTMENT**  
210 Military Trail, Jupiter, Florida 33458  
(561) 741-2286

---

MEMORANDUM

Date: February 14, 2018  
To: Building Department Staff  
Scott Thatcher / P&Z  
Theo Jackson / P&Z  
From: Jim Brown/Deputy BO   
Re: Required Fence Inspections

---

Effective March 1, 2018, the Building Department Inspection staff will only be required to inspect the following types of Fence Permits:

**Commercial Fences**  
**Pool Barrier Fences**  
**Fences over 6'**

The Building Department relies on the notarized "Fence Construction Certification Form" to ensure fences are installed in accordance with the current Town of Jupiter ordinance and approved plans.

Going forward, once fence permits are approved by both the Building Department and the Planning & Zoning Department, the permit will be issued and closed by the case manager unless it is a Commercial, Pool Barrier, or over 6' fence.

If you have any questions, please contact Jim Brown.

Thank you,  
Jim Brown  
Deputy Building Official



# Fence Construction Certification Form

## Town of Jupiter Building Department

Permit # \_\_\_\_\_

(Print Name) I, \_\_\_\_\_ intending to be legally bound, hereby certify the fence construction/replacement will be installed in accordance with the current Town of Jupiter ordinance and approved plans for fences.

Pool Barrier  Yes  No Commercial  Yes  No Fence Height:

At said property \_\_\_\_\_ Date: \_\_\_\_\_

Signature, Permit Qualifier: \_\_\_\_\_

License # \_\_\_\_\_

**State of Florida**  
**Palm Beach County**

The foregoing instrument was acknowledged before me this \_\_\_\_\_ day of \_\_\_\_\_, 20\_\_\_\_ (Year).

by \_\_\_\_\_ who  
(Name of Person Acknowledging)

Personally Known \_\_\_\_\_ Or Produced Identification \_\_\_\_\_

Type of Identification Produced \_\_\_\_\_

\_\_\_\_\_  
(Signature of Notary Public – State of Florida)

\_\_\_\_\_  
(Print, Type or Stamp Commissioned Name of Notary Public)

**210 Military Trail**  
**Jupiter, Florida**  
**(561) 741-2286 Telephone**  
**(561) 741-0911 Fax**



Town of Jupiter  
 Building Department  
 210 Military Trail  
 Jupiter, Florida 33458  
 (561)741-2286  
 Fax: (561)741-0911

**EASEMENT AGREEMENT**

DATE \_\_\_\_\_

I propose to apply for a Town permit to erect \_\_\_\_\_ in the utility easement on my property at \_\_\_\_\_

Lot: \_\_\_\_\_ Block: \_\_\_\_\_ Subdivision: \_\_\_\_\_

Brief description of dimensions and location from property lines: \_\_\_\_\_

In the event that you have no objections to this project, will you please complete this form and return to me:

CONTRACTOR/OWNER: \_\_\_\_\_

Address \_\_\_\_\_

Email: \_\_\_\_\_ Fax: \_\_\_\_\_

I understand that your company will not be responsible in any way for repairs to, or replacement of, any portion of this \_\_\_\_\_ and that any removal or replacement of this construction for your use of this easement will be done at my expense.

SIGNATURE OF OWNER: \_\_\_\_\_

**UTILITY COMPANY/DEPARTMENT**

We agree to the proposed construction under the circumstances described above.

**Mail, fax or email to:**

**AT&T ENGINEERING DEPARTMENT**  
 Cassandra Hendrix  
 321 SE 2<sup>nd</sup> Street  
 Delray Beach, FL 33483  
 Fax: 561-272-8695  
 Email: G30576@att.com

Utility Company:

**COMCAST CABLE**  
 Email: Sandra\_Stockner@comcast.com

**COMMENTS:**

\_\_\_\_\_  
 \_\_\_\_\_  
 \_\_\_\_\_  
 \_\_\_\_\_

**FLORIDA POWER & LIGHT - Jupiter Operations**  
 100 Delaware Blvd (561) 575-6335  
 Fax: 561- 575-6333 or 561-616-1625  
 Email: [Michael.baldwin@fpl.com](mailto:Michael.baldwin@fpl.com)

Print Name

**SEWER (LOXAHATCHEE RIVER DISTRICT)**  
 (561)747-5700  
 Fax: 747-9929 Attn: **Engineering Dept**

SIGNATURE

**JUPITER WATER DEPARTMENT**  
**\*Include boundary survey indicating location of project marked by XX**  
 \*A separate indemnity agreement may be required.  
 Customer Service Fax: 741-2539  
 Contact (561)746-5134 for information

TITLE:  
 (Please Print)

**TECO PEOPLES GAS** 561-741-4701  
 1363 Jupiter Park Drive  
 Fax: 741-4028

REV 6/27/18

**\*\*\* IMPORTANT \*\*\***  
**Call 811 prior to digging in order to locate existing underground services.**



# DRAINAGE EASEMENT AGREEMENT

Name: \_\_\_\_\_ Permit # \_\_\_\_\_

Address: \_\_\_\_\_ Jupiter, Florida \_\_\_\_\_

Lot: \_\_\_\_\_ Block: \_\_\_\_\_ Subdivision: \_\_\_\_\_

In consideration of the issuance of a Building Permit by the Town of Jupiter for a:

\_\_\_\_\_  
*(Describe work to be done)*

The above owner of said property agrees to remove at no expense to the Town of Jupiter the described construction from the building site also known as a Town Drainage Easement, within ten (10) days of written notice addressed to them or their successors in interest stating to them that the said drainage easement is to be put to use. It is agreed that if this construction is not removed in the allotted time by the owner, the Town shall do so without obligation to rebuild or replace.

It is also agreed that this Agreement may be recorded in the official records of the Town of Jupiter, Florida, Palm Beach County, and that this Agreement shall run with the land and be binding upon the heirs, successors and assigns of the owner.

**Signed, sealed, executed and acknowledged this \_\_\_\_\_ day of \_\_\_\_\_, 20 \_\_\_\_\_**

Before me personally appeared, and to be known to be the person described herein who executed the foregoing instrument and they acknowledged to me the execution thereof to be their free act and deed for the uses and purposes therein mentioned.

WITNESS my signature and official seal the day and year last mentioned.

\_\_\_\_\_  
*Notary Public*

\_\_\_\_\_  
*Signature of Owner*

\_\_\_\_\_  
*Printed Name of Notary*

\_\_\_\_\_  
*Printed Name of Owner*

*My Commission Expires:* \_\_\_\_\_

*(Notary Seal or Stamp)*



EASEMENT AGREEMENT

**Reciprocal Maintenance Easement**

Date \_\_\_\_\_

Property Owner \_\_\_\_\_  
(Owner applying for permit)

Address \_\_\_\_\_ City \_\_\_\_\_ Zip Code \_\_\_\_\_

I propose to apply for a city permit to erect \_\_\_\_\_ in the reciprocal maintenance on my property at \_\_\_\_\_ Lot \_\_\_\_\_ Block \_\_\_\_\_ Subdivision \_\_\_\_\_

Brief description of dimensions and location from property lines:

\_\_\_\_\_  
\_\_\_\_\_

**Adjoining Property Owner** \_\_\_\_\_

Address \_\_\_\_\_

I understand that you (the adjoining property owner) will not be responsible in any way for repairs to, or replacement of, any portion of this \_\_\_\_\_ and that any removal or replacement of this construction necessary for your use of this easement will be done at my (fence owner) expense.

Signature of Owner \_\_\_\_\_

ACKNOWLEDGEMENT this \_\_\_\_\_ day of \_\_\_\_\_ 20 \_\_\_\_\_

\_\_\_\_\_

(Adjoining Property Owner Signature) **Must be Notarized**

\_\_\_\_\_

(Print Adjoining Property Owner Name)

**Verification of Adjoining Property Owner's signature**

STATE OF FLORIDA  
COUNTY OF PALM BEACH  
TOWN OF JUPITER

I HEREBY CERTIFY that on this \_\_\_\_\_ day of \_\_\_\_\_, 20 \_\_\_\_\_ before me personally appeared \_\_\_\_\_ (**the adjoining property owner**) to be known to be the person described herein and who executed the foregoing instrument and they acknowledged to me the execution thereof to be their free act and deed for the uses and purposes therein mentioned.

WITNESS my signature and official seal the day and year last mentioned.  
My commission expires:

\_\_\_\_\_

NOTARY PUBLIC, STATE OF FLORIDA



**TOWN OF JUPITER BUILDING DEPARTMENT**

210 Military Trail, Jupiter, Florida 33458

(561) 741-2286 ◆ Fax 741-0911

**OWNER/BUILDER AFFIDAVIT & DISCLOSURE STATEMENT FORM**  
**Florida Statutes, Chapter 489.103(7)**

---

The provisions of Florida Statutes Chapter 489 require construction to be performed by a licensed contractor. You have applied for a permit under an exemption to the law under Chapter 489.103 (7). The exemption allows you, as the owner of your property to act as your own contractor even though you do not have a license. Provided you comply with the following stipulations outlined below. **YOU MUST PERFORM OR SUPERVISE THE CONSTRUCTION YOURSELF.** County Ordinances require that all permit recipients possess technical knowledge to personally supervise all permitted work.

Please carefully read the Disclosure statement below, prior to signing. If these rules are violated the Town of Jupiter Building Department shall withhold final approval, revoke the permit or pursue any action or remedy for unlicensed activity against the owner and any person performing work that requires licensure under the permit issued.

**DISCLOSURE STATEMENT**

1. I understand that state law requires construction to be done by a licensed contractor and have applied for an owner-builder permit under an exemption from the law. The exemption specifies that I, as the owner of the property listed, may act as my own contractor with certain restrictions even though I do not have a license.
2. I understand that building permits are not required to be signed by a property owner unless he or she is responsible for the construction and is not hiring a licensed contractor to assume responsibility.
3. I understand that, as an owner-builder, I am the responsible party of record on a permit. I understand that I may protect myself from potential financial risk by hiring a licensed contractor and having the permit filed in his or her name instead of my own name. I also understand that a contractor is required by law to be licensed in Florida and to list his or her license numbers on permits and contracts.
4. I understand that I may build or improve a one-family or two-family residence or a farm outbuilding. I may also build or improve a commercial building if the costs do not exceed \$75,000. The building or residence must be for my own use or occupancy. It may not be built or substantially improved for sale or lease. If a building or residence that I have built or substantially improved myself is sold or leased within 1 year after the construction is complete, the law will presume that I built or substantially improved it for sale or lease, which violates the exemption.
5. I understand that, as the owner-builder, I must provide direct, onsite supervision of the construction.
6. I understand that I may not hire an unlicensed person to act as my contractor or to supervise persons working on my building or residence. It is my responsibility to ensure that the persons whom I employ have the licenses required by law and by county or municipal ordinance.
7. I understand that it is a frequent practice of unlicensed persons to have the property owner obtain an owner-builder permit that erroneously implies that the property owner is providing his or her own labor and materials. I, as an owner-builder, may be held liable and subjected to serious financial risk for any injuries sustained by an unlicensed person or his or her employees while working on my property. My homeowner's insurance may not provide coverage for those injuries. I am willfully acting as an owner-builder and am aware of the limits of my insurance coverage for injuries to workers on my property.

8. I understand that I may not delegate the responsibility for supervising work to a licensed contractor who is not licensed to perform the work being done. Any person working on my building who is not licensed must work under my direct supervision and must be employed by me, which means that I must comply with laws requiring the withholding of federal income tax and social security contributions under the Federal Insurance Contributions Act (FICA) and must provide workers' compensation for the employee. I understand to follow these laws may subject me to serious financial risk.
9. I agree that, as the party legally and financially responsible for this proposed construction activity, I will abide by all applicable laws and requirements that govern owner-builders as well as employers. I also understand that the construction must comply with all applicable laws, ordinances, building codes and zoning regulations.
10. I understand that I may obtain more information regarding my obligations as an employer from the Internal Revenue Service, the United States Small Business Administration, the Florida Department of Financial Services and the Florida Department of Revenue. I also understand that I may contact the Florida Construction Industry Licensing Board at (805) 487-1395 or [www.myfloridalicense.com/dbpr](http://www.myfloridalicense.com/dbpr) for more information about licensed contractors.
11. I am aware of, and consent to, an owner-builder building permit applied for in my name and understand that I am the party legally and financially responsible for the proposed construction activity at the following address: \_\_\_\_\_ .
12. I agree to notify the Town of Jupiter immediately of any additions, deletions, or changes to any of the information that I have provided on this disclosure.

Licensed contractors are regulated by laws designed to protect the public. If you contract with a person who does not have a license, the Construction Industry Licensing Board and Department of Business and Professional Regulation may be unable to assist you with any financial loss that you sustain as a result of a complaint. Your only remedy against an unlicensed contractor may be in a civil court. It is also important for you to understand that, if an unlicensed contractor or employee of an individual or firm is injured while working on your property, you may be held liable for damages. If you obtain an owner-builder permit and wish to hire a licensed contractor, you will be responsible for verifying whether the contractor is properly licensed and the status of the contractor's workers' compensation coverage.

**OWNER/BUILDER AFFIDAVIT & DISCLOSURE STATEMENT FORM**

\_\_\_\_\_  
Signature

\_\_\_\_\_  
Print Name

\_\_\_\_\_  
Date

\_\_\_\_\_  
Florida Driver's License No.

**NOTARY PUBLIC**

The foregoing instrument was acknowledged before me this \_\_\_\_\_ day of \_\_\_\_\_, \_\_\_\_\_ by \_\_\_\_\_ who produced \_\_\_\_\_ as identification and who did (did not) take an oath.

\_\_\_\_\_  
Signature

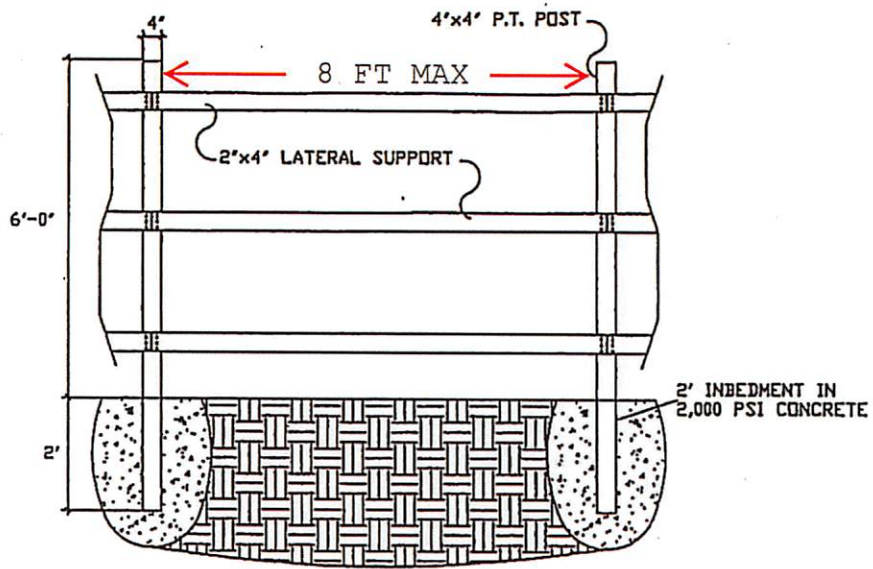
\_\_\_\_\_  
Printed Name

\_\_\_\_\_  
Date

Serial No. \_\_\_\_\_

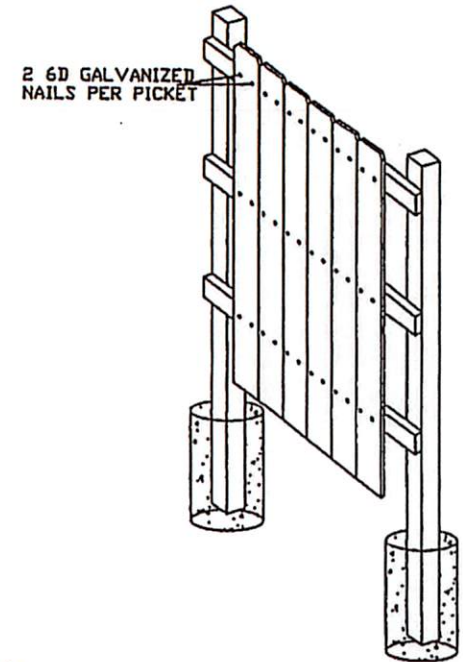
Commission Expires \_\_\_\_\_



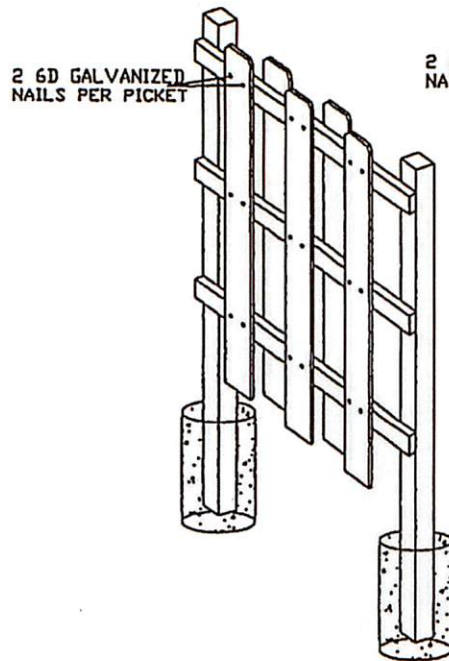


TYPICAL FENCE

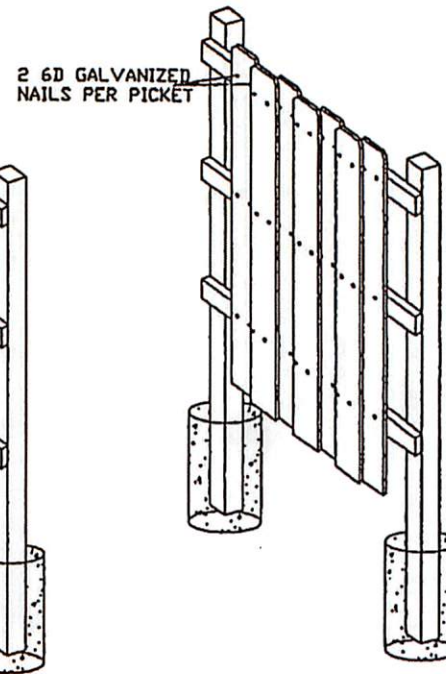
MAX 6 FT HEIGHT



STOCKADE DETAIL



SHADOW BOX DETAIL



BOARD ON BOARD DETAIL

TOWN OF JUPITER  
BUILDING DEPARTMENT  
TYPICAL WOOD FENCE