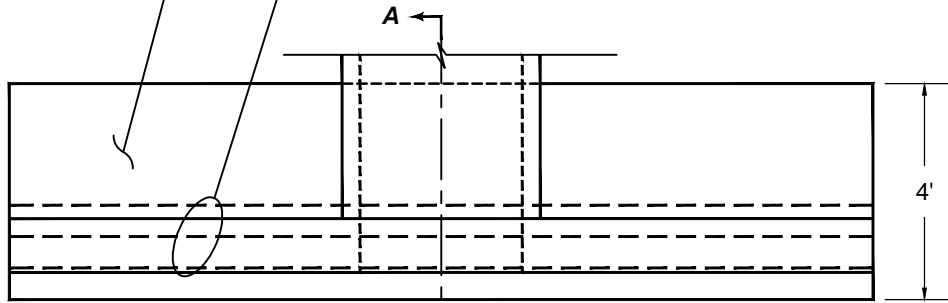


**JUPITER UTILITIES
CONSTRUCTION STANDARDS AND DETAILS**

CONCRETE HEADWALL

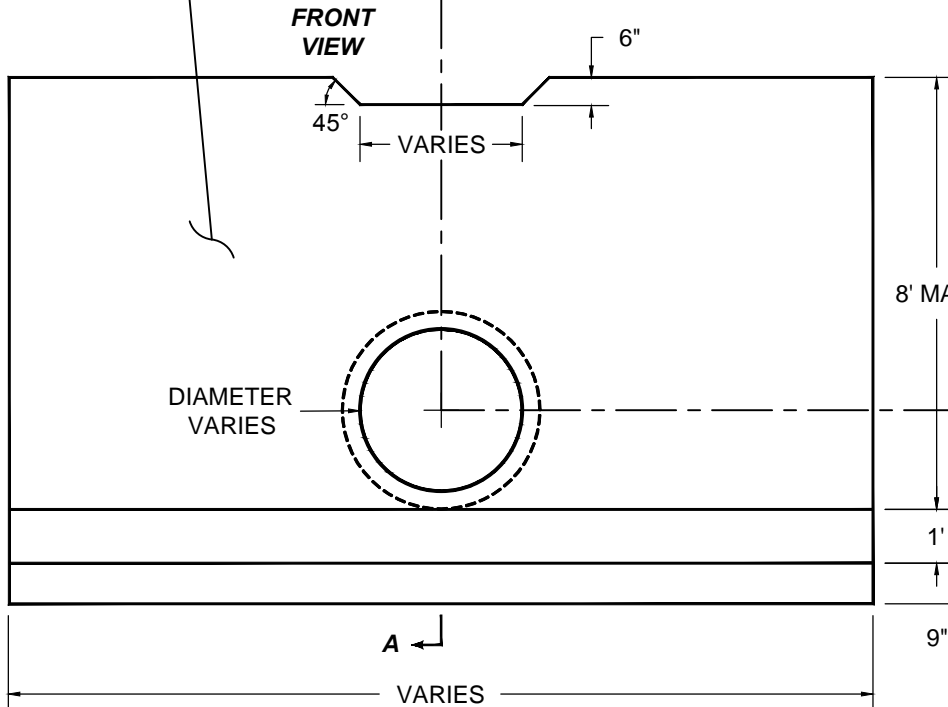
12" THICK CONCRETE BASE PLUS 9" FOOTER W/ SINGLE MAT OF # 5's @ 12" O.C.E.W

ADDITIONAL STEEL IS REQUIRED IN THE FOOTER AND TO TIE THE FOOTER TO THE CONCRETE BASE (SEE SECTION AND INSET BELOW)



TOP VIEW

12" THICK CONC. WALL W/ DOUBLE MAT OF # 5's @ 12" O.C.E.W



FRONT VIEW

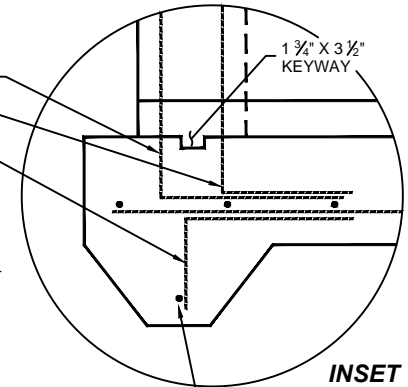
GENERAL NOTES

1. Headwall dimensions, locations and positions are for round and elliptical concrete pipe and for round corrugated aluminum pipe. Round concrete pipe shown.
2. Front slope and ditch transitions shall be approved by Town of Jupiter Utilities.
3. Headwalls may be cast in place or precast concrete. Reinforcing steel shall be Grades 40 or 60. Additional reinforcement necessary for handling precast units shall be determined by the Contractor or the supplier. Cost of reinforcement shall be included in the contract unit price for Concrete, (Headwalls). All rebar to have minimum 3" embedment.
4. All exposed corners and edges of concrete are to be chamfered 3/4".
5. Concrete shall conform to ASTM C478 (4000 psi).
6. On outfall ditches with side slopes flatter than 1:1 1/2 provide 20' transitions from the headwall to the flatter side slopes, right of way permitting.
7. Sod all disturbed areas around headwall with adjacent area like kind sod (use bahia sod area(s) is/are not irrigated).
8. Installation of all pipe and structures must meet the bedding, installation and backfill requirements for new structures and pipe on Detail SW-5.

30" X 15" #5 "L" REBAR @ 12" O.C.

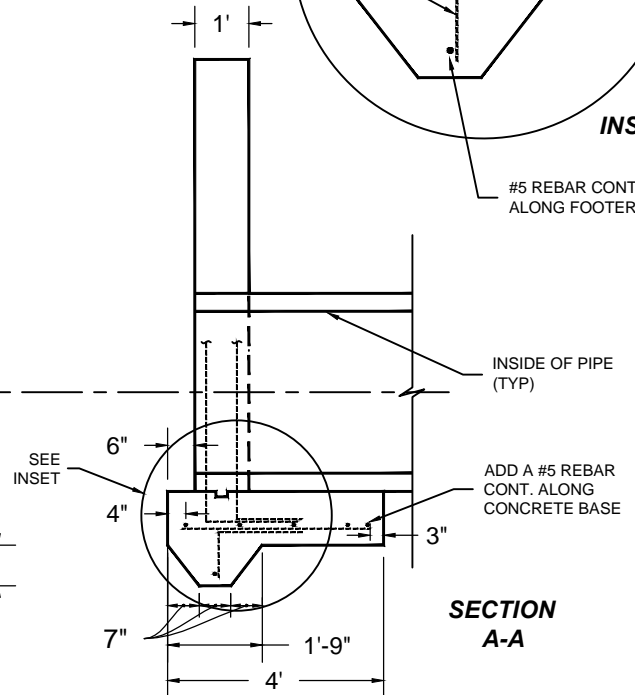
30" X 21" #5 "L" REBAR @ 12" O.C.

9" X 15" #5 "L" REBAR @ 12" O.C.



INSET

#5 REBAR CONT. ALONG FOOTER



SECTION A-A

DATE APPROVED: 10/2013

DRAWING No SW-06