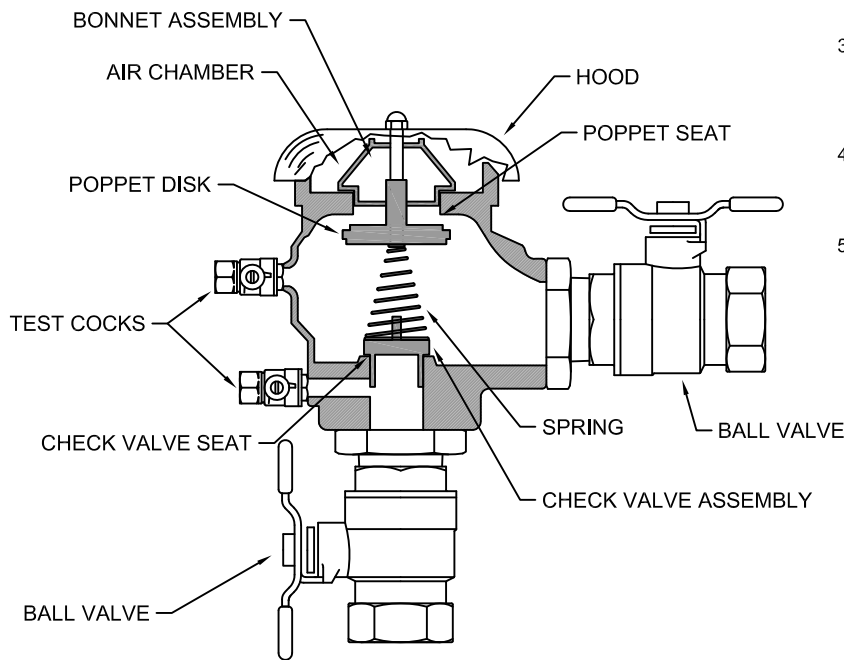


NOTES:

1. THE PRESSURE VACUUM BREAKER (PVB) SHALL BE INSTALLED ONLY ON SYSTEMS SUBJECT TO NO BACK PRESSURE.
2. THE PRESSURE VACUUM BREAKER SHALL BE INSTALLED IN AN ACCESSIBLE LOCATION FOR SERVICE AND INSPECTION.
3. THE PRESSURE VACUUM BREAKER SHALL BE INSTALLED ON THE MAIN LINE TO THE IRRIGATION SYSTEM, NOT LESS THAN 12 INCHES ABOVE THE HIGHEST SPRINKLER HEAD.
4. ALL MATERIAL SHALL BE APPROVED BY THE TOWN OF JUPITER WATER UTILITIES PRIOR TO INSTALLATION.
5. ALL BRASS FITTING MATERIAL INSTALLED SHALL CONTAIN NO LEAD IN ACCORDANCE WITH THE CURRENT DRINKING WATER STANDARDS



NOT TO SCALE

**PRESSURE TYPE VACUUM BREAKER FOR POTABLE IRRIGATION**

**JUPITER UTILITIES**  
**BACKFLOW PREVENTION PROGRAM DETAILS**

DATE APPROVED:  
 10/2013  
 DRAWING No. CC-5